

SONY

Hi-Fi Products
Service Bulletin

Sony Service Company - Technical Services
A Division of Sony Corporation of America
Sony Drive, Park Ridge, New Jersey 07656

Model: TC-K670,TC-K677ES

No. 277

Subject: Poor Sound At High Frequencies

Date: June 30, 1992

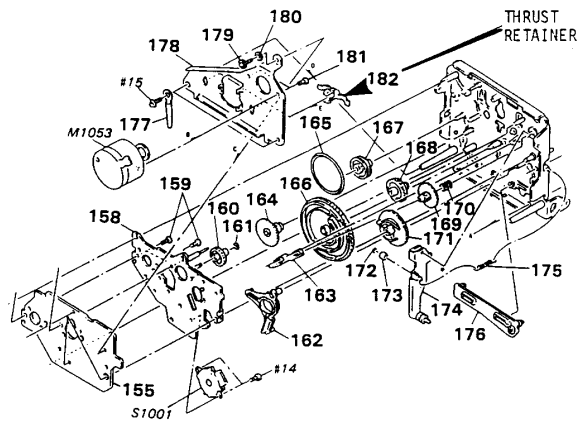
Symptom:
(52)

High frequency audio is of poor quality due to a deformed capstan thrust retainer (Ref. 182 - on page 32 of the Service Manual). The deformed thrust retainer allows excessive movement of the capstan which results in an improper tape path and poor quality high frequency audio.

Serial Numbers Affected: TC-K670 Up To 805900
TC-K677ES Up To 802400

Solution: Replace the thrust retainer with the part shown below:

REFERENCE	DESCRIPTION	PART NUMBER	
		INCORRECT	CORRECT
182	RETAINER, THRUST CAPSTAN	3-575-321-00	X-3365-071-1



CSA-13 Tape Deck